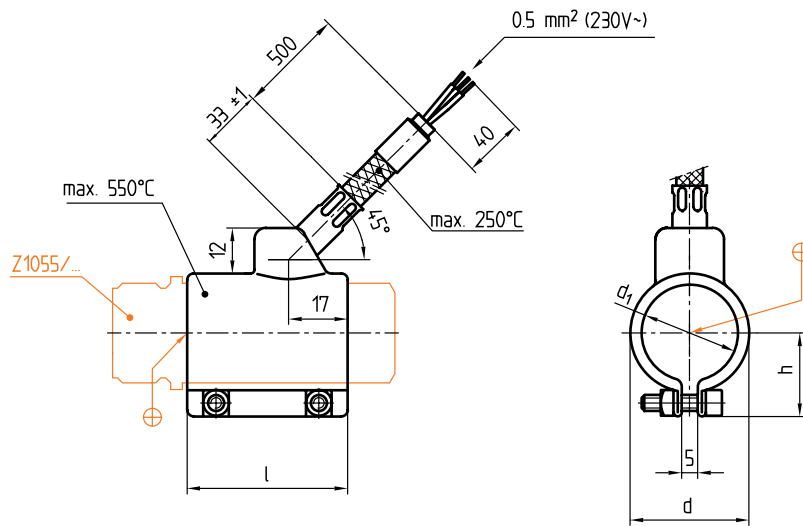


Z1133/...

230 V~

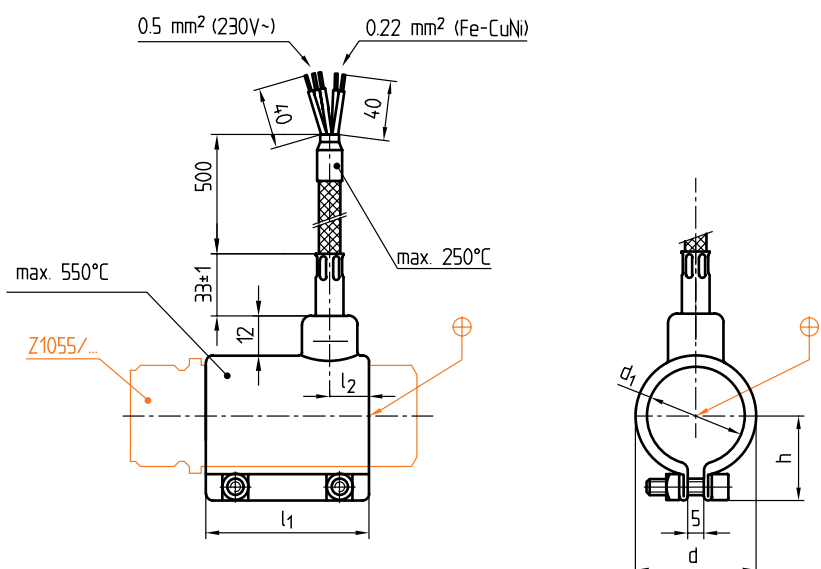


h	d	d ₁	l	Watt	Nr./No.
26	37	30	25	120	Z1133/30x25/120
			40	200	40/200
			50	250	50/250

Z1134/...

230 V~

= Fe-CuNi



l ₂	h	d	d ₁	l ₁	Watt	Nr./No.
12,5	26	37	30	25	120	Z1134/30x25/120
17				40	200	40/200
				50	250	50/250

This is trial version
www.adultpdf.com